

CHASSIS Model T-8486

4-Axle Custom Truck

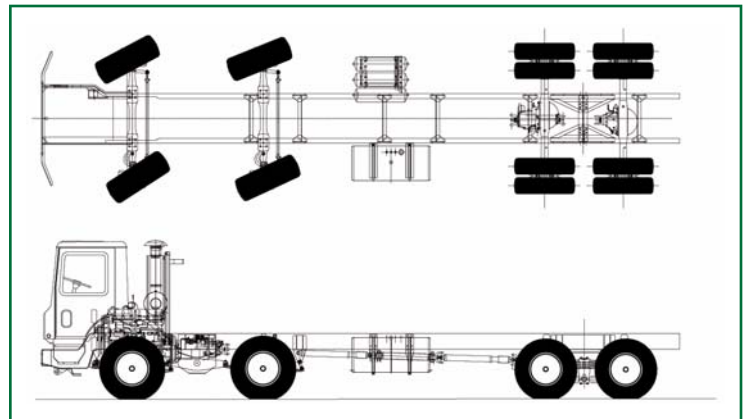


Get superior power and maneuverability with Tor Truck's Super Chassis

With the rugged and versatile design, Tor Truck's line up of Super Chassis offer proven performance with our four axle tandem steer construction truck. Best in it's class maneuverability, turning radius and superior ride. EPA efficient engine and a deep ratio transmission offer second to none performance for any construction job. Get the highest driver satisfaction from both the ride and handling for your construction equipment.

SPECIFICATIONS

Engine	Cummins Diesel, ISM-450, Automotive Type, 2007 with DPF Including Jake Brake, 16 Cfm Air Compressor 450 Hp @ 2100 Rpm, Torque 1450 FtLb
Transmission	Eaton Roadranger , Model RTO-14909ALL (low ratio 26.08 :1) 11 Speed with manual Controls
Clutch	Spicer 15 1/2 - 2 Plate, Solo Type
Front Axles (2)	Drive-Steer Type, Meritor including Air Brakes w. ABS , Hubs and Drums Tandem Capacity 40000 lbs
Rear Axles (2)	Tandem Drive Axles with Inter-Axle Differential and Lockout Meritor model RT46-160, wide track, including Hubs, Drums, Air Brakes w. ABS, Tandem Capacity 46000 lbs
Front suspension	Tandem Load-equalizing leaf Spring suspension with shock absorbers
Rear Suspension	Tandem Load-Equalizing Walking Beam Suspension
Wheels	Front : (4) Alu Disc Wheels, for Single Tires Rear : (8) Alu Disc Wheels, for Dual Tires
Tires	Front : (4) 435/65 R 25 Michelin (XTE-2) Rear : (8) 11.00 R 22.5 Michelin (XDY-3)
Frame	Double-Channel Frame, made from High Strength Steel (110000 PSI Yield) Fully Huck-Bolted construction, Heavy Duty Front Bumper, Front Tow Pin
Cabin	Two Man Cab, "Mack" MR-Type LH Drive, Driver Air Ride Seat & Seat Belts, Passenger T-bar Seat & Seat Belts, High Cap. Heater, Defroster, Sun Visor, Weat coast mirrors, Full Instrumentation, Air conditioning System, Radio & Casette player, Electric Windshield Wipers and Washer
Brakes	Service Brakes - Dual Split Air Brake System on all Wheels in accordance to FMVSS-121, Parking Brakes - Spring Chambers on 2 Rear Axles 16 CFM Air Compressor, Heavy Duty Air Dryer, Alu Air Reservoirs, ABS System
Steering System	Power Steering on 2 Front Axles Mechanically coordinated , Hydraulically Powered
Fuel System	100 Gall. Alu Diesel Fuel Tank
Air Cleaner	Dual Stage, Dry Type
Exhaust System	Single Exhaust System including Exhaust Particulate Filter (EPF) , Top Mounting
Drive Shafts	Spicer Needle Bearing type, 1810 & 1710 Series
Electrical System	12 V Electrical Lighting system in Accordance with FMVSS Head Lights, Signal Lights, Clearance Lights
Options	Optional Engines, Transmissions, Wheels & Tires , others



5865 McLaughlin Road
Mississauga, ON L5R 1B8 Canada
Tel.: 905.568.2028 • Fax: 905.568.0124

15349 - 114th N.W.
Edmonton, AB T5M 3S9 Canada
Tel.: 780.482.0821 • Fax: 780.482.0196

Toll free: 1.800.448.8456

torinfo@rpmtechgroup.com

www.tortruck.com

Tor Truck Corporation is a wholly owned subsidiary of R.P.M. Tech Inc.
www.rpmtechgroup.com

Revised: 2013-04

