

BLIZZARD

Cold Air Blower



Blast Away:

Snow

Ice

Dirt

Standing water

Grass clippings

Foreign objects (FOD's)

Applications :

Airports:

Runways

Taxiways

Runway lights

Airfield signs

Aprons



Railway Yards:

Rail tracks

Third rails

Rail switches



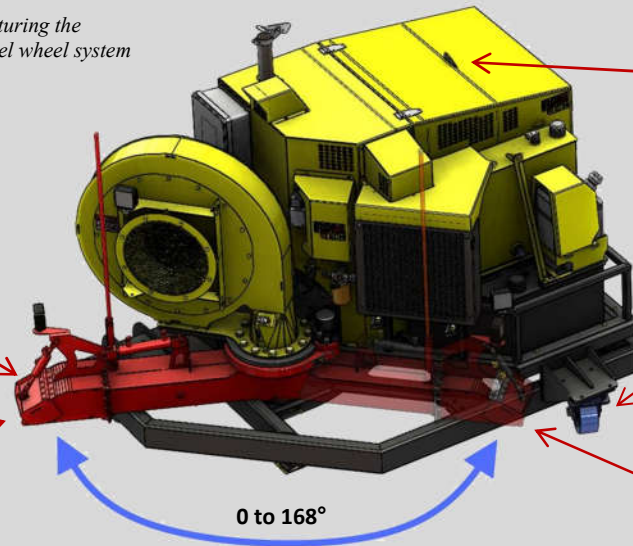
**LOADER-MOUNTED, SNOW REMOVAL
AND MAINTENANCE EQUIPMENT**

BLIZZARD COLD AIR BLOWER TECHNICAL SPECIFICATIONS

The Blizzard illustration is featuring the optional work light and a swivel wheel system

A deflector varies the nozzle aperture to control the air speed and flow

All nozzle movements are remotely controlled by a joystick



A large hood mounted on hinges provides complete engine access for ease of maintenance operations

Optional swivel wheel system. The standard unit comes with six (6) undercarriage skid shoes.

The nozzle rotates from left to right and can tilt up and down

0 to 168°

AIR SPEED

- Up to 581 km/h (361 mph)

AIRFLOW

- Generated by a two-stage centrifugal fan
- High pressure airflow up to 4.35m³/h (9165 CFM)

AIR NOZZLE MANOEUVRABILITY

- Can be directed left or right
- The nozzle can be tilted up to 76mm (3 in.) above ground
- Hydraulically controlled
- Operated by a joystick located inside the loader cabin
- Automatic nozzle rotation mode for effortless operation

DIMENSIONS

- Overall width: 2534 mm (99 ¾ in.) with the nozzle oriented towards the front
- Overall height: 2057 mm (81 in.)
- Overall length: 1657 mm (65 ¼ in.) with the nozzle oriented to the right and without the female coupler

UNIT WEIGHT :

- 2722 kg (6000 lb) approx with fuel and DEF tanks full and without the coupler

CARRIER:

- To be mounted on a wheel loader or swingmaster

SKID SHOES

- Six (6) undercarriage skid shoes with carbide inserts

OPERATING CONDITIONS

- In ambient temperature varying from -40°C (-40°F) to 48°C (118°F)

BLOWER ENGINE

- Make and model : Certified Caterpillar Tier 4F, turbocharged 129 kW (174 hp), Diesel engine¹
- Block heater : 600W

INSTRUMENT PANEL AND CONTROLS

- Model : Heavy duty control and display system PLUS+1 from Sauer Danfoss
- Controls :
 - ♦ One controller using a multiplex CAN comm.
 - ♦ One high resolution color LCD display of 3½ in.x 6 in.
 - ♦ One joystick with integrated functions and emergency stop
 - ♦ One key ignition switch

OPTIONAL EQUIPMENT

- Wireless remote control system
- Wireless remote camera with 7 in. screen
- Female quick coupler
- Work lights
- Robust swivel wheel system for summer operation (paved surface)
- Railroad skidding system
- Arctic lubrication kit (temperature under -25°C (-13°F))
- Hydraulic oil heater
- Low coolant level sensor

¹ Maximum performance at altitude lower than 600 ft



R.P.M. Tech Inc.
2220 Michelin Street
Laval, QC, H7L 5C3 Canada

www.rpmtechgroup.com

Tel.: 1.450.687.3280

1.800.631.9297 (Toll free in North America)

E-mail: info@grouperpmtech.com